



Room Air Conditioner **OWNER'S MANUAL**

Models :

LG-BKE 4450 D - LG-BKE 5455 D
LG-BKE 4500 D - LG-BKE 5505 D
LG-BKE 4600 D - LG-BKE 5605 D
LG-BKE 4700 D - LG-BKE 4800 D

- Please read carefully and thoroughly this manual before operating this unit.
- Contact the authorized SVC man for repair or maintenance of this unit.
- Contact the installer for installation of this unit.
- The appliance is not intended for use by young children or infirm persons without supervision.
- Young children should be supervised to ensure that they do not play with the appliance.

Prior to installation, this air-conditioning unit must be submitted for approval by the utility service which provides electricity (EN 6055-3 Norm).

Safety Precautions

Warning2
 Caution3

Operating Instructions

Preparation before operation ..4
 About the Remote Control on the System.....5
 Operation Mode Selection Button.....6

Care and Maintenance

Care and Maintenance13
 Operation Tips14

Troubleshooting tips

Before You Call For Service15

Safety precautions

To prevent injury to the user or other people and property damage, the following instructions must be followed.

■ Incorrect operation due to ignoring of instruction will cause harm or damage, the seriousness is classified by the following indications.

WARNING

This symbol indicates the possibility of death or serious injury.

CAUTION

This symbol indicates the possibility of injury or damage to properties only.

Installation precautions

WARNING

- **Do not install, remove and reinstall the unit by yourself.**
 - Improper installation will cause water leakage, electrical shock, or fire. Please consult authorized dealer or specialist for the installation work. Please note fault caused by improper installation is not covered by warranty.
 - Unit must be installed in an easily accessible area. Any additional cost required to hire a special equipment to service the unit will be the responsibility of the customer.

WARNING

Plug in the power plug properly.

- Otherwise, it will cause electrical shock or fire due to heat generation.

Do not operate or stop the unit by inserting or pulling out the power plug.

- It will cause electrical shock or fire due to heat generation.

Do not damage or use an unspecified power cord.

- It will cause electrical shock or fire.
- If the supply cord is damaged, it must be replaced by the manufacturer or its service agent or a similarly qualified person in order to avoid a hazard.

Do not modify power cord length or share the outlet with other appliances.

- It will cause electrical shock or fire due to heat generation.

Do not operate with wet hand.

- It may cause electrical shock.

Do not insert anything into the air inlet/air outlet.

- Since the fan rotates at high speed, this may cause an injury or damage the unit.

Do not expose the skin directly to cool air for long periods of time.

- This could damage your health.

When an abnormality (smell of burning, etc) occurs, stop the air conditioner, and disconnect the power plug or turn off the breaker.

- If the unit continues to be operated in an abnormal condition, it may cause a fire, damage, etc. In this case, consult your dealer.

Repair or relocation should not be done by the customer.

- If this is done incorrectly, it may cause a fire, electric shock, injury by dropping of the unit, water leakage, etc. Consult your dealer.



CAUTION

- Contact the authorized Service technician for repair or maintenance of this unit.
- Contact the installer for installation of this unit.
- The air conditioner is not intended for use by young children or infirm persons without supervision.
- Young children should be supervised to ensure that they do not play with the air conditioner.

⚠ CAUTION ⚠

When the air filter is to be removed, do not touch the metal parts of the indoor unit.

- It may cause an injury.
- Should be disconnected from supply

Do not clean the air conditioner with water.

- Water may enter the unit and degrade the insulation. It may cause an electric shock.

Ventilate well when used together with a stove, etc.

- An oxygen shortage may occur.

When the unit is to be cleaned, switch off, and turn off the circuit breaker.

- Since the fan rotates at high speed during operation, it may cause an injury.

Do not put a pet or house plant where it will be exposed to direct air flow.

- This could injure the pet or plant.

Do not leave on installation stand which is damaged.

- The unit may drop or fall down and cause an injury.

Do not apply an insecticide or flammable spray.

- It may cause a fire or deformation of the cabinet.

Do not put a stove, etc. where is exposed to direct air flow.

- It may affect combustion.

Do not step on the indoor/outdoor unit and do not put anything on it.

- It may cause an injury through dropping or falling down.

Do not insert hands through vanes when the air conditioner is operating

- It will cause an injury by the rotating blower.

When the unit is not going to be used for a long time, turn off the circuit breaker.

- If not, dirt may collect and cause a fire.

Do not step onto an unstable bench when cleaning and/or maintaining the unit.

- It may cause an injury, etc. by falling down.

Do not use for special purposes.

- Do not use this air conditioner to preserve precision devices, food, animal, plants, and art objects.
It may cause deterioration of quality, etc.

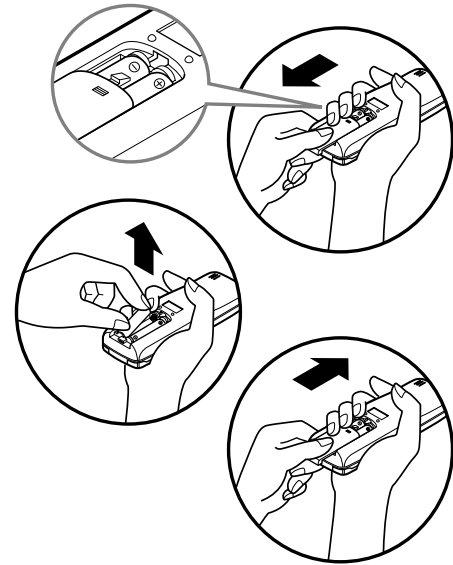
Do not operate for a long time in high humidity, e.g. leaving a door or window open.

- In the cooling mode, if it is operated in a room with high humidity (80%RH or more) for a long time, water condensed in the air conditioner may drop and may wet and spoil furniture, etc.

Preparation before operation

How to Insert the Batteries

- 1 Remove the battery cover by pulling it according to the arrow direction.
- 2 Insert new batteries making sure that the (+) and (-) of battery are installed correctly.
- 3 Reattach the cover by sliding it back into position.

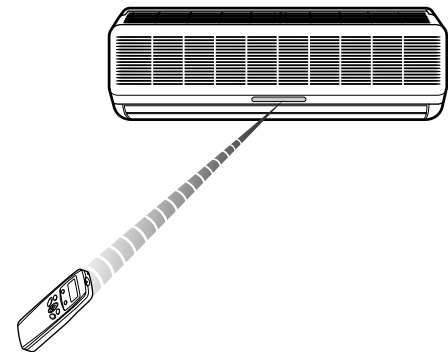
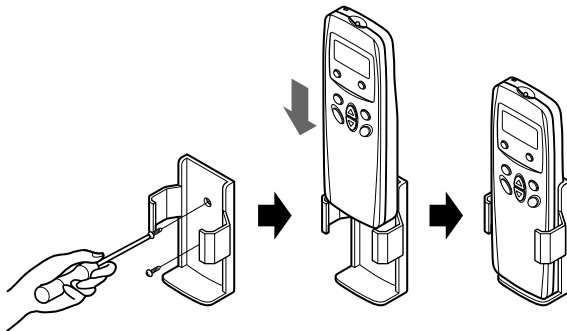


NOTES:

- Use 2 AAA(1.5volt) batteries. Do not use rechargeable batteries.

Storage and Tips For Using the Remote Control

- The remote control may be stored mounted on a wall.
- To operate the room air conditioner, aim the remote control at the signal receptor.

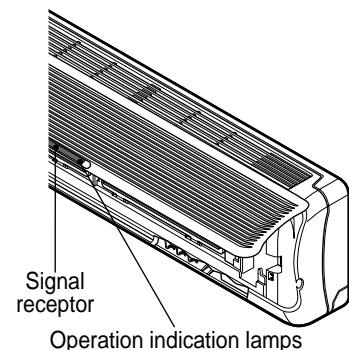


Signal Receptor

Receives the signals from the remote controller.
(Signal receiving sound:two short beeps or one long beep.)

Operation Indication Lamps

- Ⓛ On/Off : Lights up during the system operation.
- Ⓛ OFF Timer :Lights up during indoor unit operation.
- ON Indoor Unit :Lights up during indoor unit operation.
Operation
- * Ⓛ Defrost Mode : Lights up during Defrost Mode or Hot Start operation.
(Heat pump model only)



About the remote control on the system

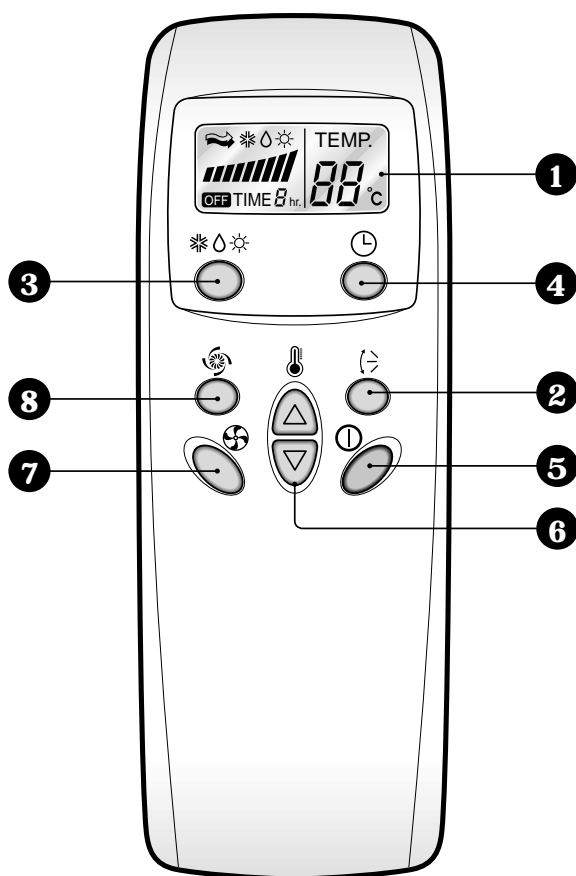


Features of the Remote Control

Remote Controller

Signal transmitter

Transmits the signals to the room air conditioner.



- 1 OPERATION DISPLAY**
Displays the operation conditions.
- 2 AIRFLOW DIRECTION START/STOP BUTTON**
Used to stop or start louver movement and set the desired up/down airflow direction.
- 3 OPERATION MODE SELECTION BUTTON**
Used to select the operation mode.
- 4 OFF TIMER BUTTON**
Used to set the time of stopping operation.
- 5 START/STOP BUTTON**
Operation starts when this button is pressed, and stops when the button is pressed again.
- 6 ROOM TEMPERATURE SETTING BUTTONS**
- 7 INDOOR FAN SPEED SELECTION BUTTON**
- 8 JET COOL**
Used to start or stop the speed cooling. (Speed cooling operates super high fan speed in cooling mode.)

Safety Precautions

Operating Instructions

Care and Maintenance

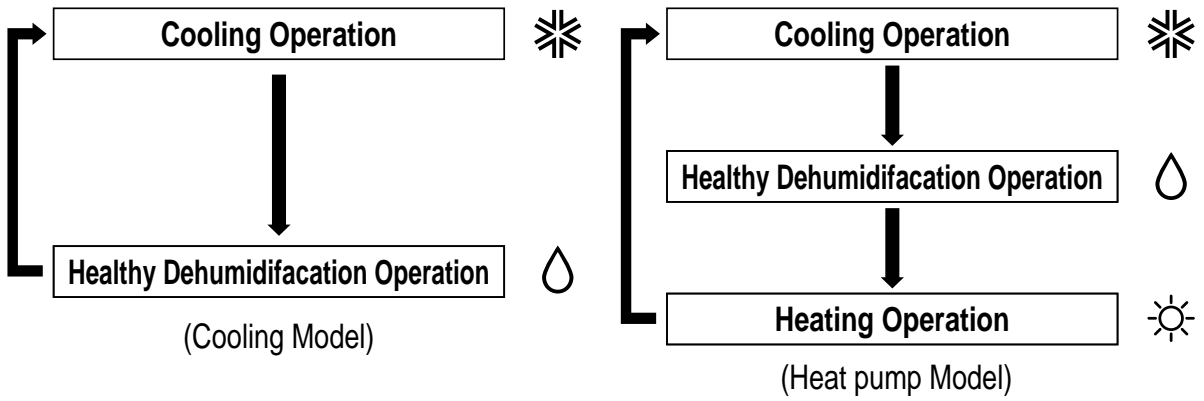
Troubleshooting Tips

Operation Mode Selection button



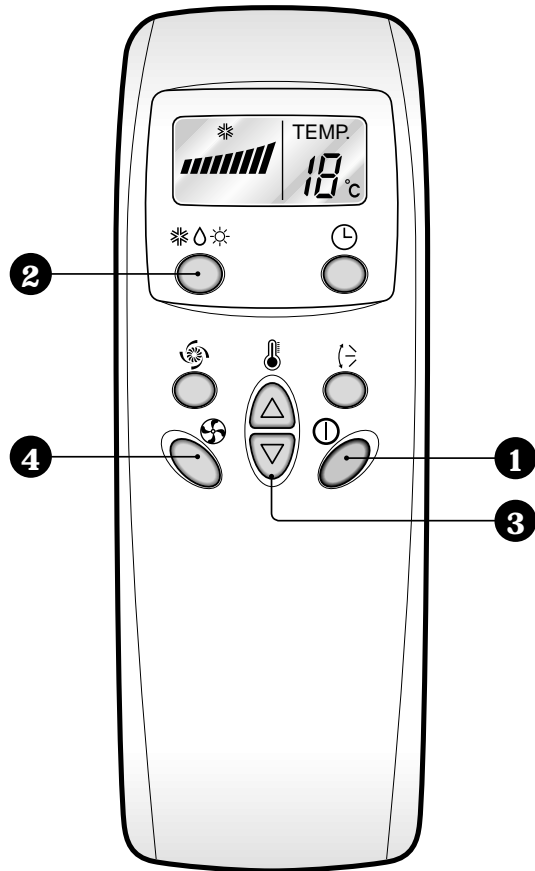
Features of the Remote Control

(1) OPERATION MODE



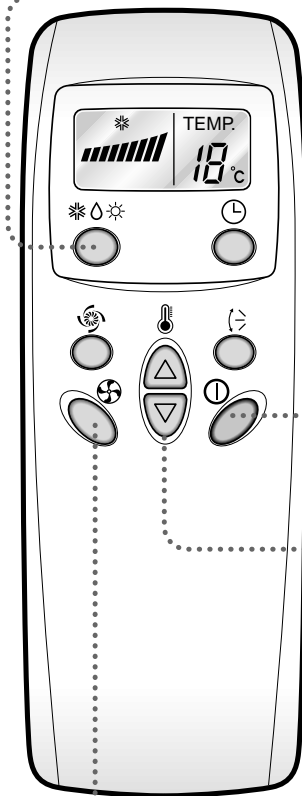
(2) OPERATION PROCEDURE

- 1st** Start/Stop Button
- 2nd** Operation Mode Selection Button
- 3rd** Room Temperature Setting Button
- 4th** Indoor Fan Speed Selection Button

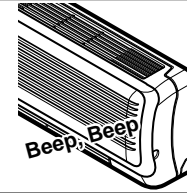
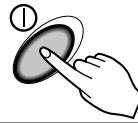




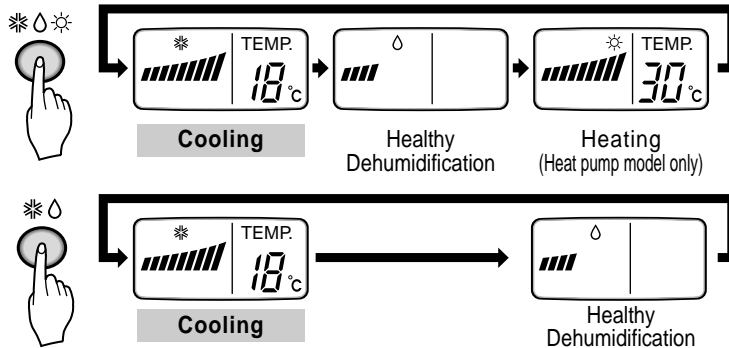
Cooling Operation



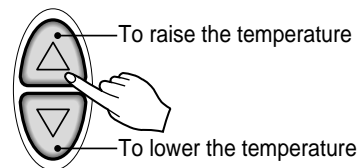
1 Press the Start/Stop Button.



2 Select Cooling Operation.
Press the Operation Mode Selection Button.
Each time the button is pressed, the operation mode is shifted in the arrow direction.



3 Set the temperature lower than the room temperature.
• The temperature can be set within a range of 18°C ~ 30°C by 1°C .



4 Set the fan speed.
• Select the fan speed in four steps-low, medium, high or CHAOS.
• Each time the button is pressed, the fan speed mode is shifted.
• The display shows high fan speed.



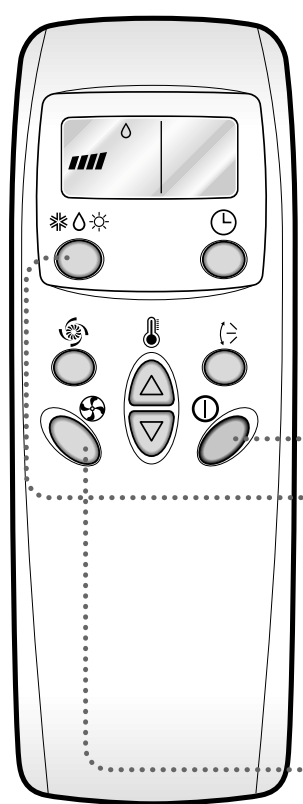
Natural wind by the CHAOS logic

- For more fresh feeling than other fan speed, press the Indoor Fan Speed Selector and set to CHAOS mode. In this mode, the wind blows like natural breeze by automatically changing fan speed according to the CHAOS logic.



Healthy Dehumidification Operation Mode

This mode dehumidifies without overcooling.



1 Press the Start/Stop Button.

2 Select Healthy Dehumidification Operation.

Press the operation Mode Selection Button. Each time the button is pressed, the operation mode is shifted in the arrow direction.

3 You can select the fan speed in four steps-low, medium, high, or CHAOS. Each time the button is pressed, the fan speed mode is shifted.

During Healthy Dehumidification Operation:

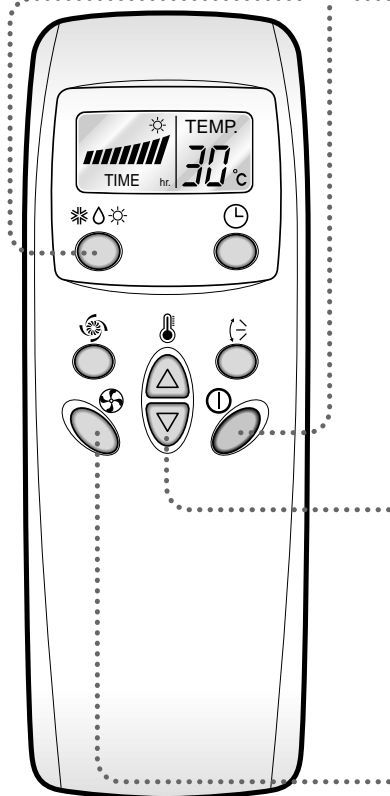
- ❑ If you select the dehumidification mode on the operation selection button, the airconditioner starts to run the dehumidification function, automatically setting the room temp. and airflow volume to the best condition for dehumidification based on the sensed current room temp.

In this case, however, the setting temp. is not displayed in the remote control and you are not able to control the room temp. either.

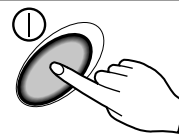
- ❑ During the healthy dehumidification function, the airflow volume is automatically set according to the optimization algorithm responding to the current room temp. status and makes the room condition healthy and comfortable even in the high humidity season.



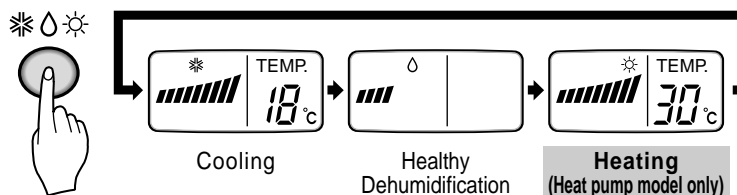
Heating Operation(Heat pump model only)



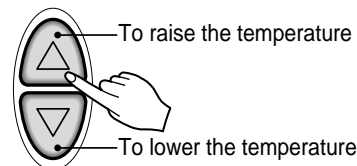
- 1** Press the Start/Stop button.
The unit will respond with a beep.



- 2** To select **Heating Operation**, press the Operation Mode Selection button.
Each time the button is pressed, the operation mode is shifted in the direction of the arrow.



- 3** Set the temperature higher than the room temperature.
The temperature can be set within a range of 16°C~30°C in 1°C increments.

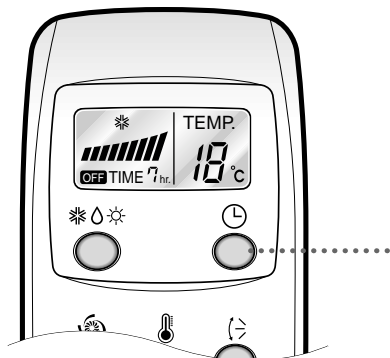


- 4** Set the fan speed again with the door of the remote control still closed. You can select the fan speed in four steps—low, medium, high, or CHAOS. Each time the button is pressed, the fan speed mode is shifted.

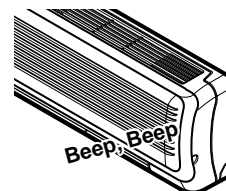
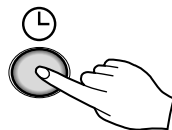


OFF Timer control Setting

OFF TIMER CONTROL SETTING



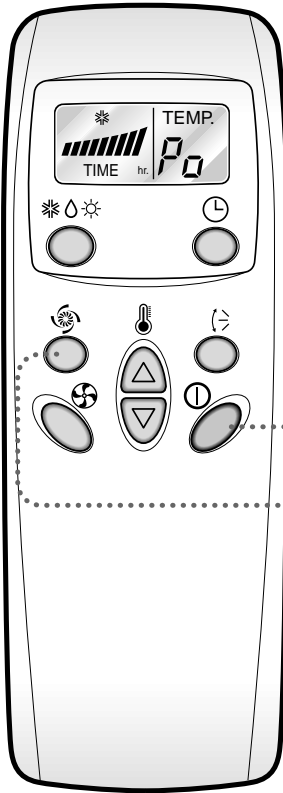
Press the OFF Time Button.



1. Press the OFF Time Button.
2. Check the OFF Time LED of the room air conditioner.
3. The Timer is programmed by 1 hour each pressing the OFF Time button from 1 hour to 7 hours.



Jet Cool Operation



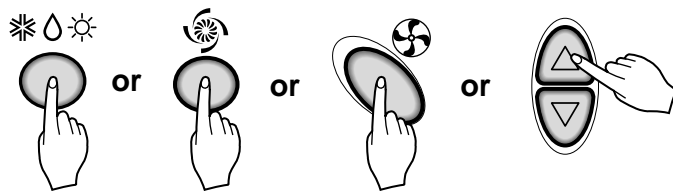
- 1** Press the Start/Stop button.
The unit will respond with a beep.



- 2** Press the **Jet Cool** button to operate the speed cooling mode and the unit will operate in super high fan speed on cooling mode for 30 minutes.



- 3** To cancel the **Jet Cool** mode, press the **Jet Cool** button again or the fan speed button or the room temperature setting button and the unit will operate in high fan speed on cooling mode.



NOTE:

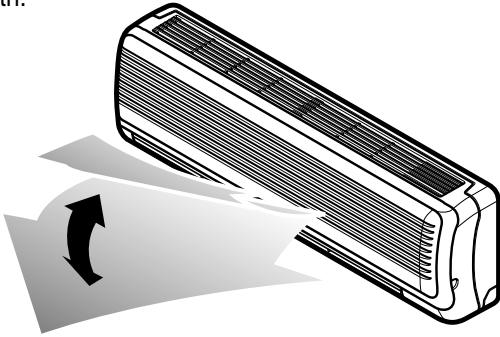
- ❑ During the JET COOL function at any moment, the A/C starts to blow the cool air at extremely high speed for 30 minutes setting the room temp. automatically to 18°C. It is especially used to cool the room temp. in the shortest time in a hot summer.
In heat pump mode the JET COOL function is not available.
- ❑ In order to return to the normal cooling mode from the JET COOL mode, you just press either the operation mode selection button, airflow volume selection or temp. setting button or the JET COOL button again.



Airflow Direction Procedure

Airflow Direction Control

The airflow direction can be adjusted as desired by using the remote controller. This is effective when you want to cool yourself directly, such as after taking a bath.



- 1 Press the Start/Stop Button.
(Confirm the unit on operation.)



- 2 Press the Airflow Direction Control Button and the vertical louvers swing up and down automatically.

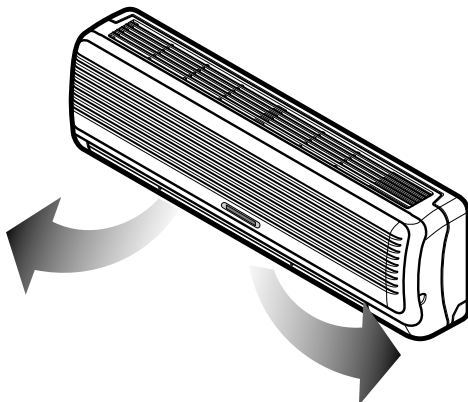


- 3 Press again the Airflow Direction Control Button to set the vertical louver at the desired airflow direction.



Horizontal Airflow Direction Control (Optional)

- Adjust the horizontal airflow direction by manually moving the horizontal airflow direction louver by hand.



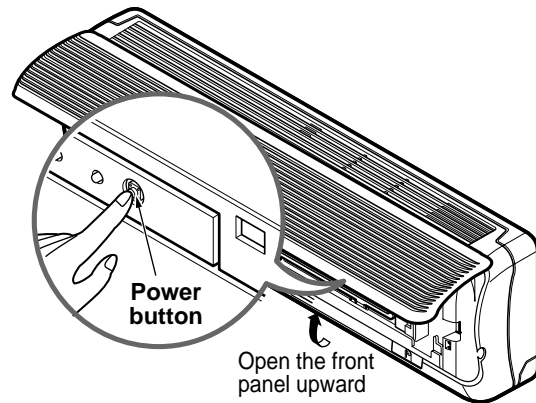
Caution

- Always use the remote controller to adjust the airflow direction. Manually moving the vertical airflow direction louver by hand could cause operation errors.
- When air conditioner operation is stopped, the vertical airflow direction louver will close the air outlet vent of room air conditioner.



Forced Operation

Operation procedures when the remote control can't be used.
The operation will be started if the power button is pressed.
If you want to stop operation, re-press the button.



	Cooling Model	Heat pump Model		
		Room Temp. 24 C	21 C Room Temp. < 24 C	Room Temp. < 21 C
Operating mode	Cooling	Cooling	Healthy Dehumidification	Heating
Indoor FAN Speed	High	High	High	High
Setting Temperature	22 C	22 C	23 C	24 C

Test operation

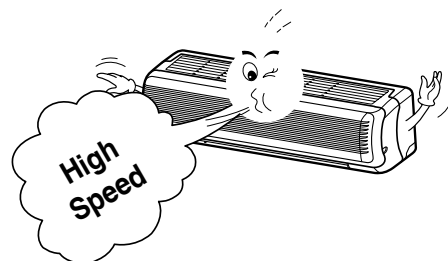
During the TEST OPERATION, the unit operates in cooling mode at high speed fan, regardless of room temperature and resets in 18 minutes.
During test operation, if remote controller signal is received, the unit operates as remote controller sets.
If you want to use this operation, open the front panel upward and Press the power button let it be pressed for about 3 seconds.
If you want to stop the operation, re-press the button.

Auto restart

In case the power comes on again after a power failure, Auto Restarting Operation is the function to operate procedures automatically to the previous operating conditions.
So there is no need of activating this function by pressing any key or button.
In the initial mode, the fan operates at a low speed and the compressor starts 2.5~3 minutes later.
As the compressor starts, the fan speed also resumes its previous setting mode.
Additionally, in order to cancel auto restart operation press power button let it be pressed for about 6 seconds. To operate auto restart operation again, press power button for about 6 seconds as well.

Helpful information

Fan speed and cooling capacity.
The cooling capacity indicated in the specification is the value when the fan speed is set to high, and the capacity will be lower at low or medium fan speed.
High fan speed is recommended when you wish to cool the room quickly.



Care and maintenance of the air conditioner

CAUTION: Before performing any maintenance, turn off the main power to the system.

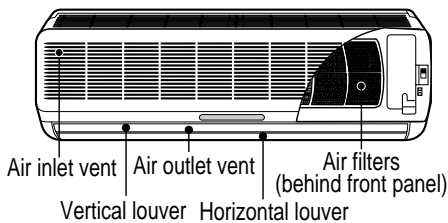
Indoor Unit

Grille, Case, and Remote Control

- ❑ Turn the system off before cleaning. To clean, wipe with a soft, dry cloth. Do not use bleach or abrasives.

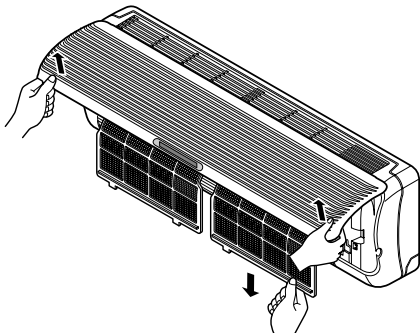
NOTE:

Supply power must be disconnected before cleaning the indoor unit.

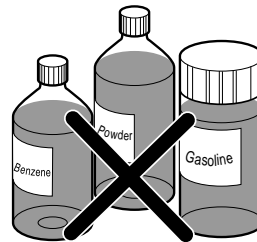


AIR FILTERS

The air filters behind the front grille should be checked and cleaned once every 2 weeks or more often if necessary.



- ❑ Never use any of the followings:
 - Water hotter than 40°C
Could cause deformation and/or discoloration.
 - Volatile substances
Could damage the surfaces of the air conditioner.



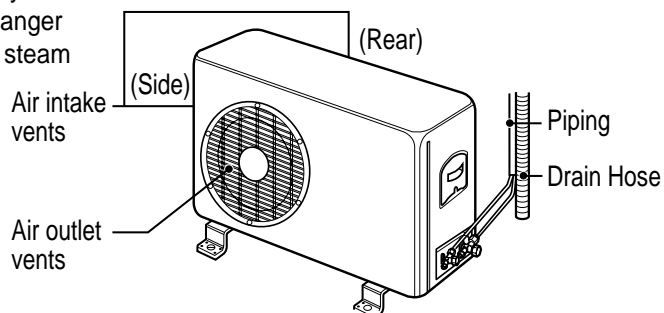
- 1 Lift the front access panel and pull the filter tab slightly forward to remove the filter.
- 2 Clean the filter with a vacuum or warm, soapy water.
 - If dirt is conspicuous, wash with a solution of detergent in lukewarm water.
 - If hot water (40°C or more) is used, it may be deformed.
- 3 After washing with water, dry well in the shade.
- 4 Re-install the air filter.

Outdoor Unit

The heat exchanger coils and panel vents of the outdoor unit should be checked regularly. If clogged with dirt or soot, the heat exchanger and panel vents may be professionally steam cleaned.

NOTE:

Dirty or clogged coils will reduce the operating efficiency of the system and cause higher operating costs.



When the air conditioner is not going to be used for a long time.

When air conditioner is not going to be used for a long time.

- 1 Turn off the circuit breaker, and disconnect the plug.

⚠ CAUTION

Turn off the circuit breaker when the air conditioner is not going to be used for a long time.
Dirt may collect and may cause a fire.

- 2 Remove the batteries from the remote control.

When the air conditioner is to be used again.

- 1 Clean the air filter and install it in the indoor unit.
(Refer to page 13 for cleaning filters.)
- 2 Check that the air inlet and outlet of the indoor/outdoor unit are not blocked.

Operation Tips

<p>Do not overcool the room.</p> <p>This is not good for the health and wastes electricity.</p>	<p>Keep blinds or curtains closed.</p> <p>Do not let direct sunshine enter the room when the air conditioner is in operation.</p>	<p>Keep the room temperature uniform.</p> <p>Adjust the vertical and horizontal airflow direction to ensure a uniform temperature in the room.</p>
<p>Make sure that the doors and windows are shut tight.</p> <p>Avoid opening doors and windows as much as possible to keep the cool air in the room.</p>	<p>Clean the air filter regularly.</p> <p>Blockages in the air filter reduce the airflow and lower cooling and dehumidifying effects. Clean at least once every two weeks.</p>	<p>Ventilate the room occasionally.</p> <p>Since windows are kept closed, it is a good idea to open them and ventilate the room now and then.</p>

Before you call for service...



Troubleshooting Tips! Save time and money!

Check the following points before requesting repairs or service.... If the fault persists, please contact your dealer or service center.

Case	Explanation	See page
The air conditioner does not operate.	• Have you made a mistake in timer operation?	-
	• Has the fuse blown or has the circuit breaker been tripped?	
The room has a peculiar odor.	• Check that this is not a damp smell exuded by the walls, carpet, furniture, or cloth items in the room.	-
It seems that condensation is leaking from the air conditioner.	• Condensation occurs when the airflow from the air conditioner cools the warm room air.	-
Air conditioner does not operate for about 3 minutes when restarted.	• This is the protector of the mechanism. • Wait about three minutes and operation will begin.	-
Does not cool or heat effectively.	• Is the air filter dirty? See air filter cleaning instructions.	13
	• Has the temperature been set incorrectly?	7
	• Are the indoor unit's air inlet or outlet vents obstructed?	-
The air conditioner operation is noisy.	• For a noise that sounds like water flowing. -This is the sound of freon flowing inside the air conditioner unit. • For a noise that sounds like the compressed air releasing into atmosphere. -This is the sound of the dehumidifying water being processed inside the air conditioning unit.	-
Remote control display is faint, or no display at all.	• Are the batteries depleted? • Are the batteries inserted in the opposite (+) and (-) directions?	4
Crack sound is heard.	• This sound is generated by the expansion/constriction of the front panel, etc. due to changes of temperature.	-

NOTE

WATER RESISTANT: The outdoor side of this appliance is WATER RESISTANT.

The indoor side is not water resistant and should not be exposed to excess water.

Safety Precautions

Operating Instructions

Care and Maintenance

Troubleshooting Tips